

Antenna 15-22 GHz 10 dB Gain

ELL-A3D-SP-150022001000-01

Description

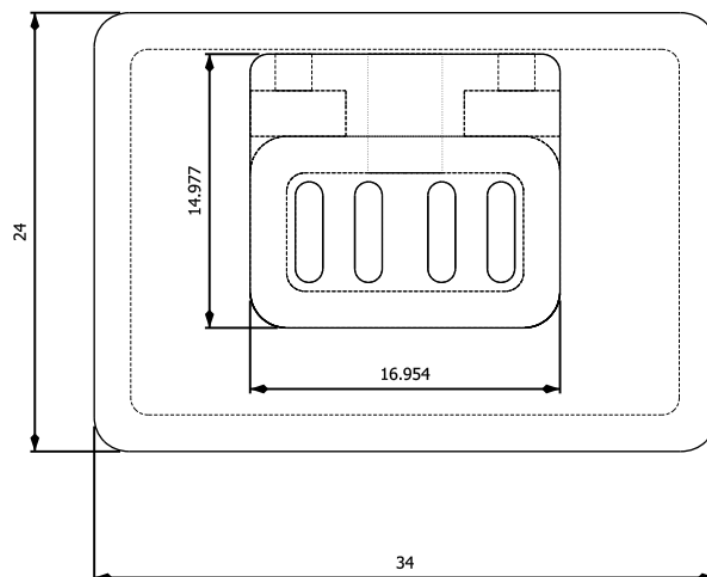
This Horn antenna operates for a frequency from 15 GHz to 22 GHz. It offers a typical value of 10 dB gain. The particularity of this antenna is its lightness. Indeed, this antenna is lighter than a machining one due to the realization by a 3D printer.



Technical specifications

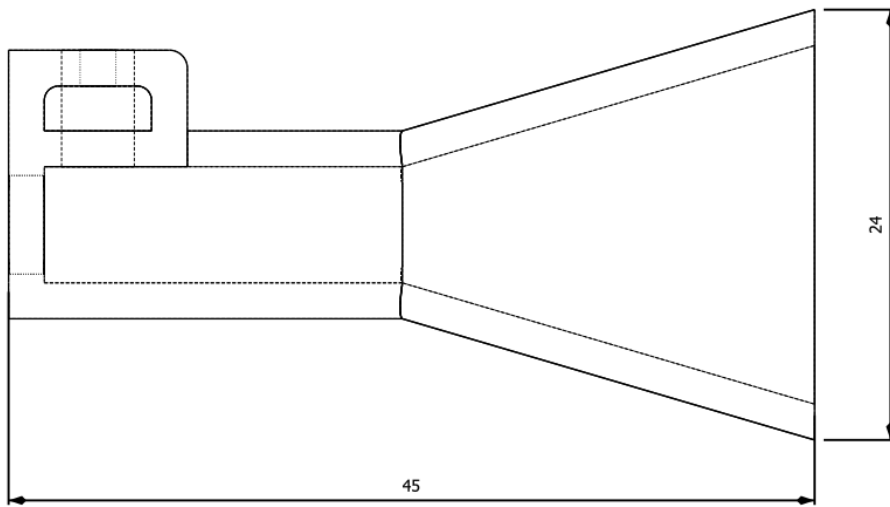
Frequency (GHz)	15-22
Simulated Gain (dB)	10 Typ.
VSWR max	1.70
Connector	SMA-F
Waveguide	WR51
Size (mm)	34*24*45
Weight	12 g

Dimensional Drawing



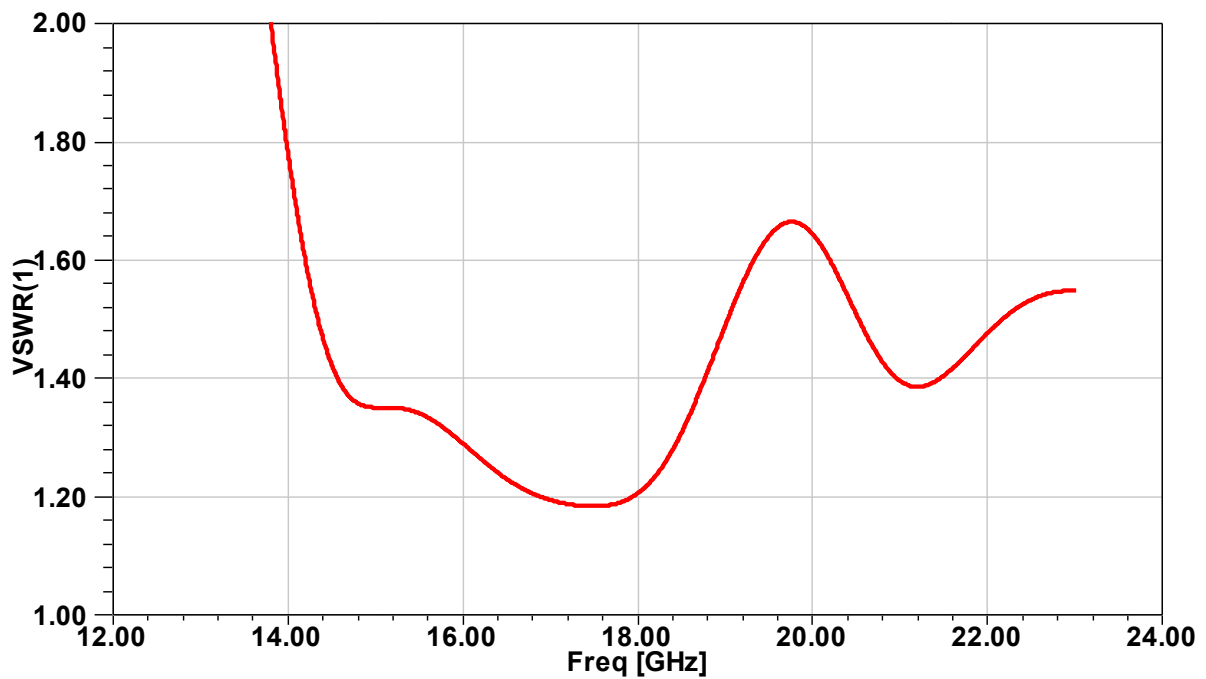
Antenna 15-22 GHz 10 dB Gain

ELL-A3D-SP-150022001000-01



Simulation results

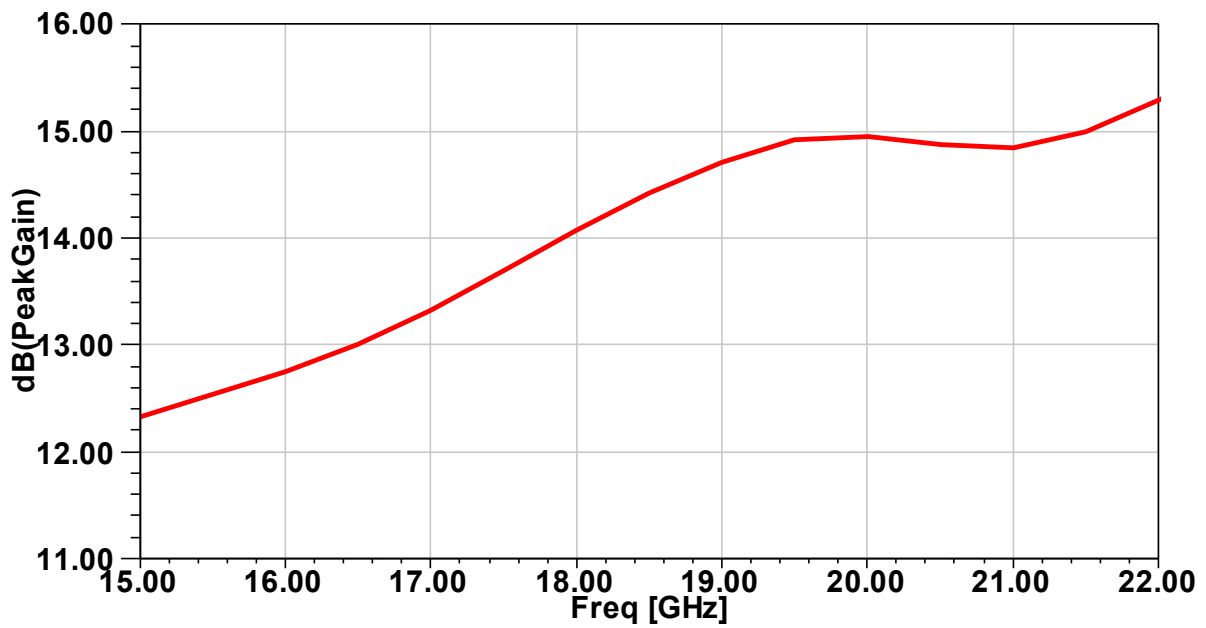
1. VSWR



Antenna 15-22 GHz 10 dB Gain

2.Gain

ELL-A3D-SP-150022001000-01



Measurement results (Reflection coefficient)

