

Antenna 6-18 GHz 19 dB Gain

Description

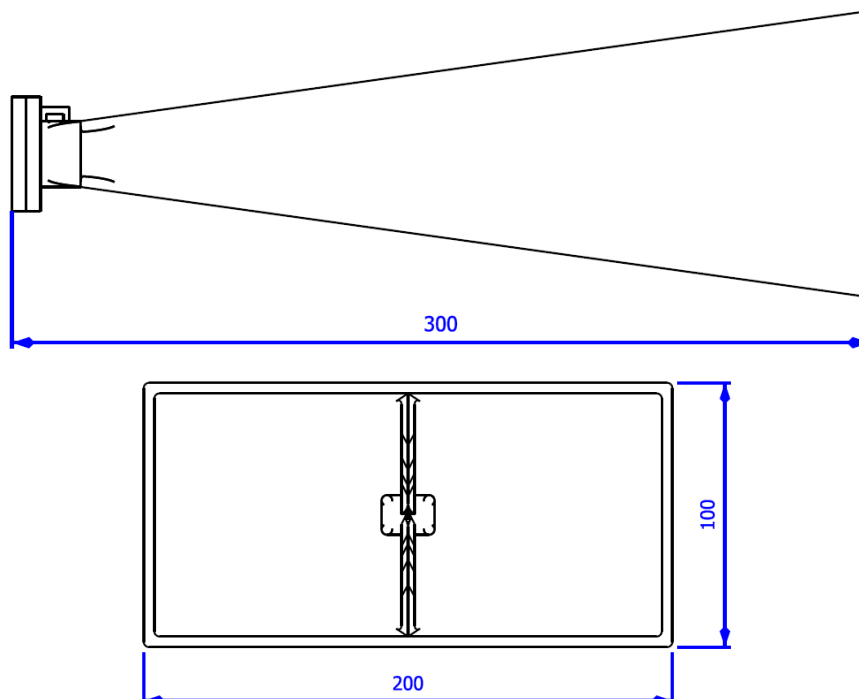
This Horn antenna operates at a frequency of 6 GHz to 18 GHz. It offers a typical gain of 19 dB. This antenna is lighter than a conventionally machined one due to the use of 3D printing technologies.



Technical specifications

Frequency(GHz)	6 - 18
Simulated Gain(dB)	19 Typ.
Connector	2.92
Size (mm)	300 x 100 x 200
Weight (g)	-

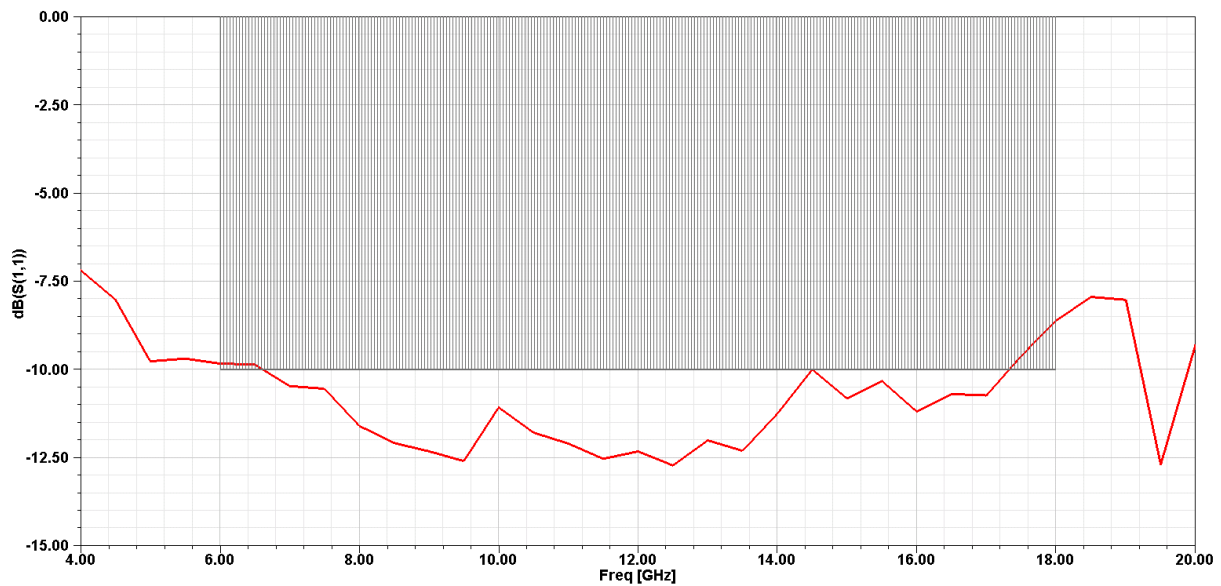
Dimensions and pictures



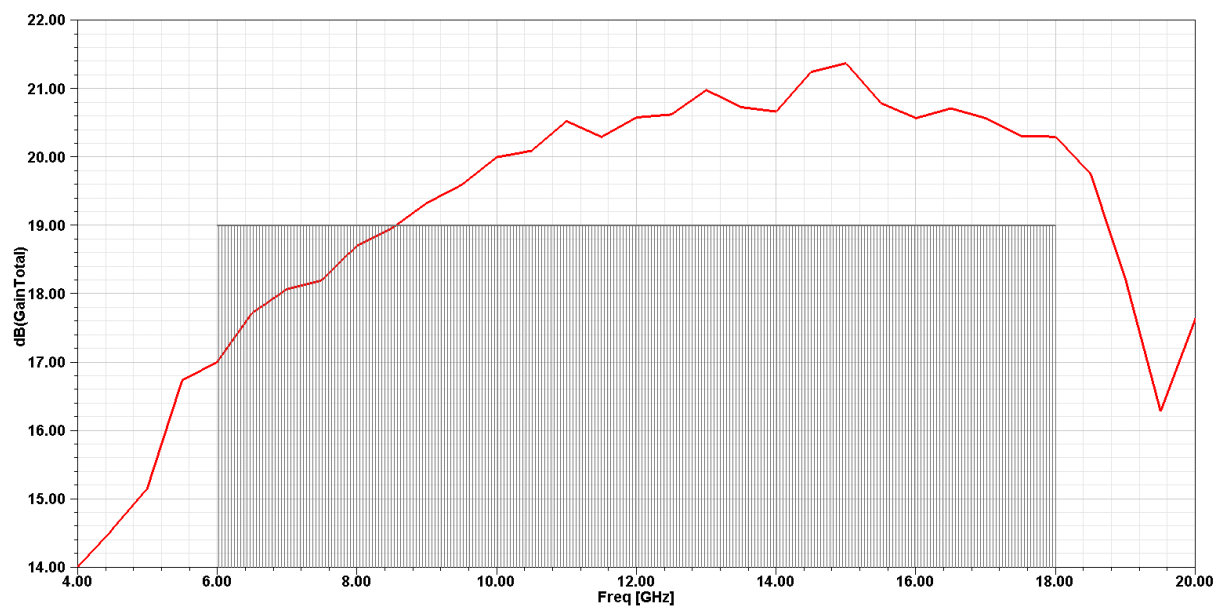
Antenna 6-18 GHz 19 dB Gain

Simulation results

1-Reflection coefficient

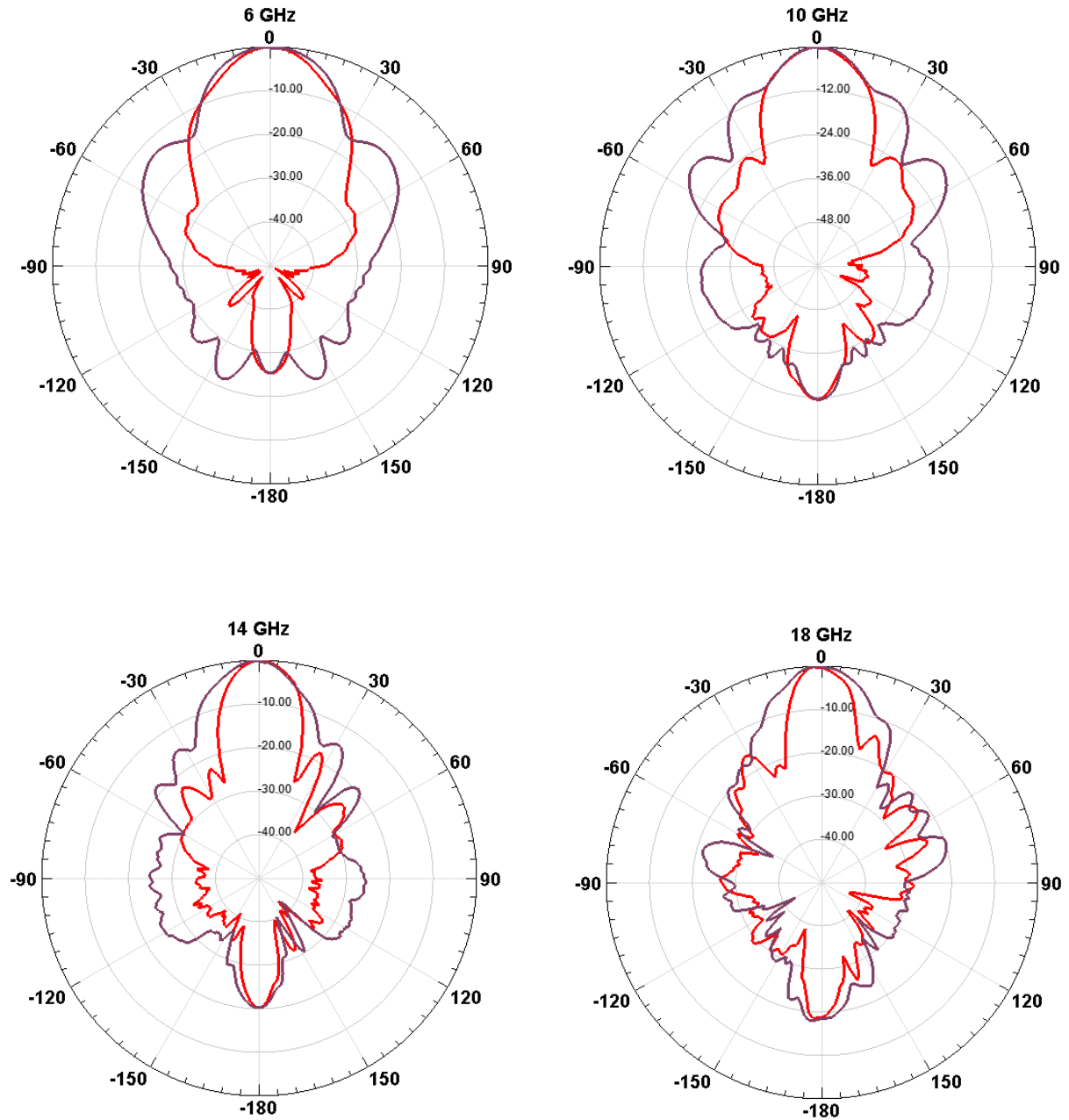


2-Gain vs Frequency



Antenna 6-18 GHz 19 dB Gain

3-Radiation patterns



Antenna 6-18 GHz 19 dB Gain 4-VSWR

