



Antenna 26.5-40 GHz 10 dB Gain

Description

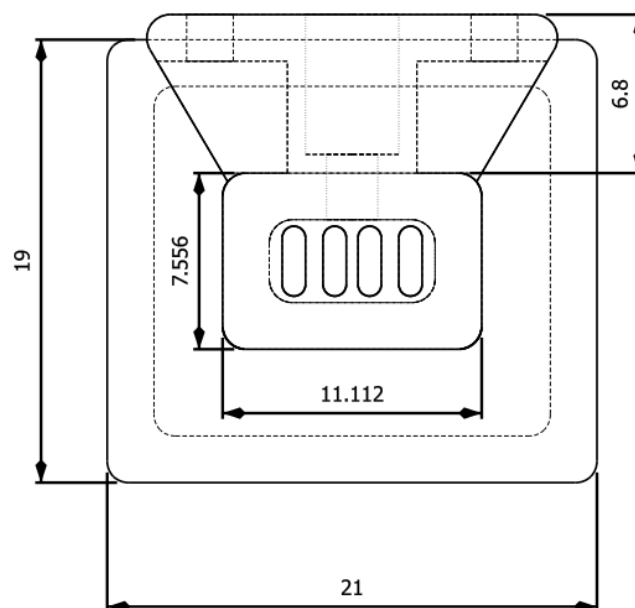
This Horn antenna operates for a frequency from 26.5 GHz to 40 GHz. It offers a typical value of 10 dB gain. The particularity of this antenna is its lightness. Indeed, this antenna is lighter than a machining one due to the realization by a 3D printer.



Technical specifications

Frequency (GHz)	26.5-40
Simulated Gain (dB)	10 Typ.
VSWR max	1.55
Connector	SMA-F
Waveguide	WR28
Size (mm)	21*19*30
Weight	-

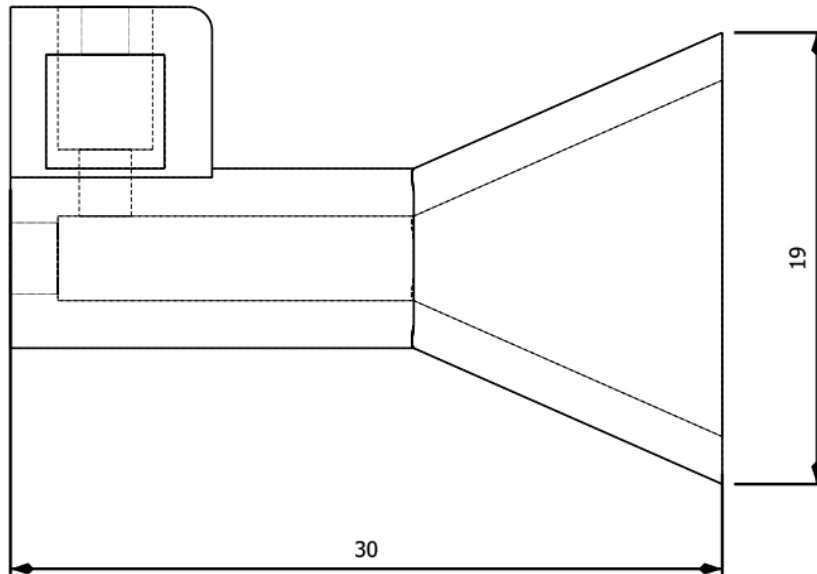
Dimensional Drawing





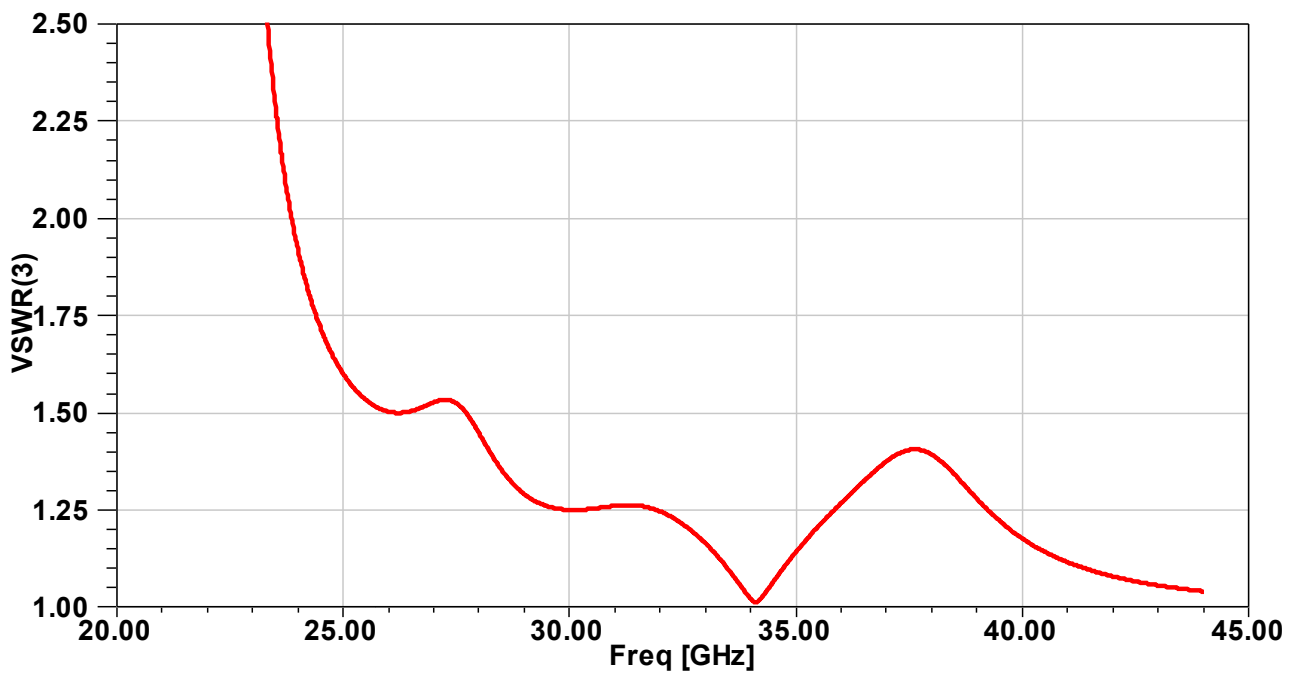
Antenna 26.5-40 GHz 10 dB Gain

elliptika®



Simulation results

1. VSWR





elliptika®

Antenna 26.5-40 GHz 10 dB Gain

2.Gain

