

# Antenna 22-33 GHz 10 dB Gain

## Description

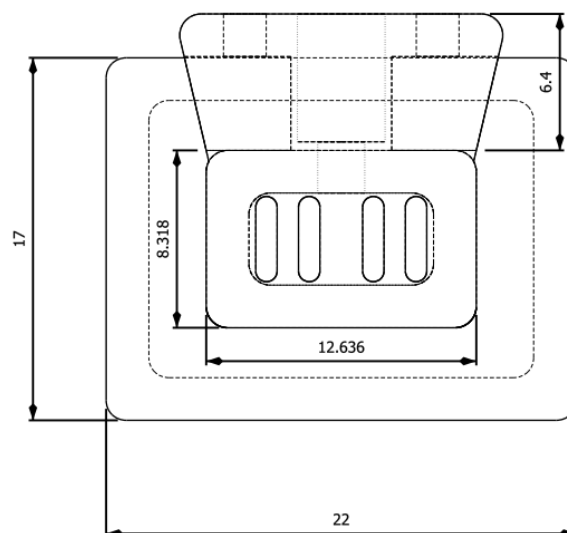
This Horn antenna operates for a frequency from 22 GHz to 33 GHz. It offers a typical value of 10 dB gain. The particularity of this antenna is its lightness. Indeed, this antenna is lighter than a machining one due to the realization by a 3D printer.



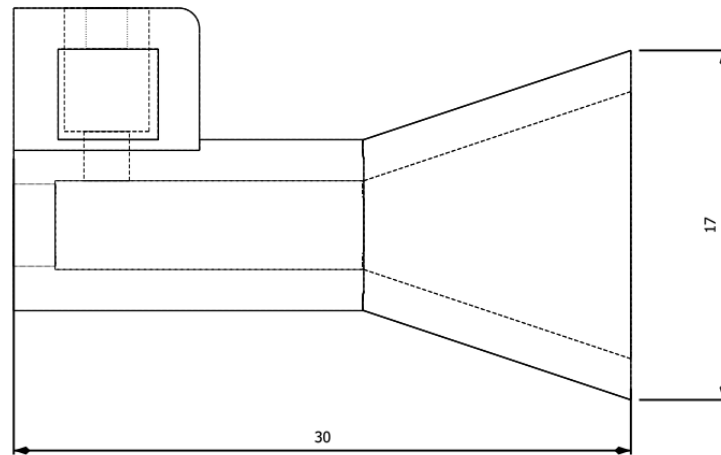
## Technical specifications

Frequency (GHz)	22-33
Simulated Gain (dB)	10 Typ.
VSWR max	1.40
Connector	SMA-F
Waveguide	WR34
Size (mm)	22*17*30
Weight	-

## Dimensional Drawing

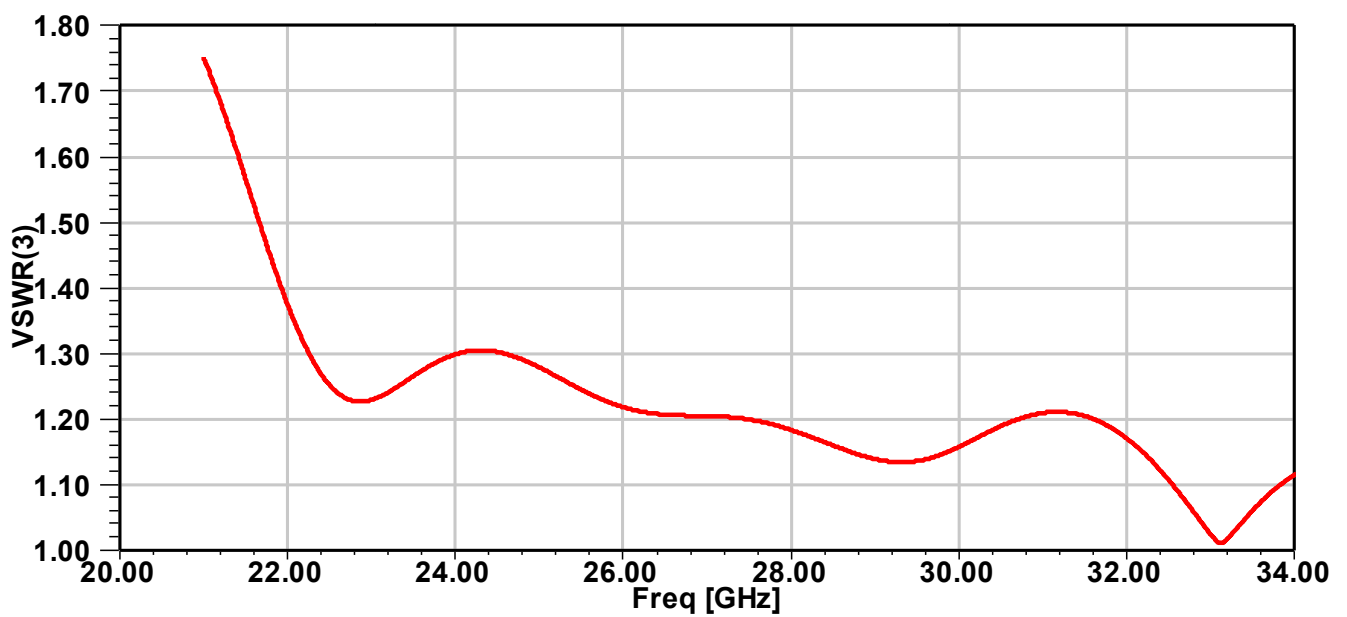


# Antenna 22-33 GHz 10 dB Gain



## Simulation results

### 1. VSWR



# Antenna 22-33 GHz 10 dB Gain

## 2.Gain

