



Antenna 18-26.5 GHz 15 dB Gain

Description

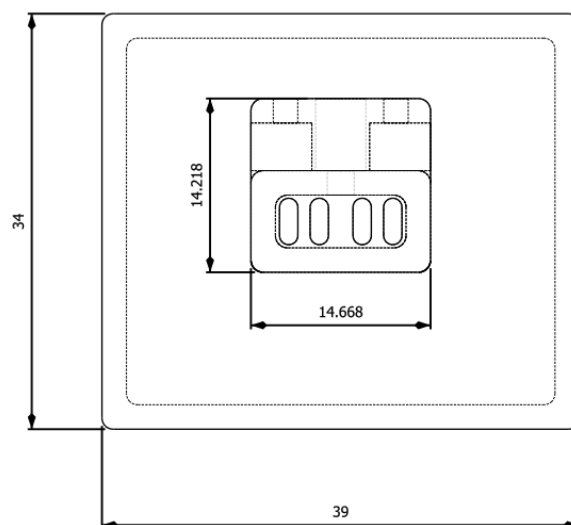
This Horn antenna operates for a frequency from 18 GHz to 26.5 GHz. It offers a typical value of 15 dB gain. The particularity of this antenna is its lightness. Indeed, this antenna is lighter than a machining one due to the realization by a 3D printer.



Technical specifications

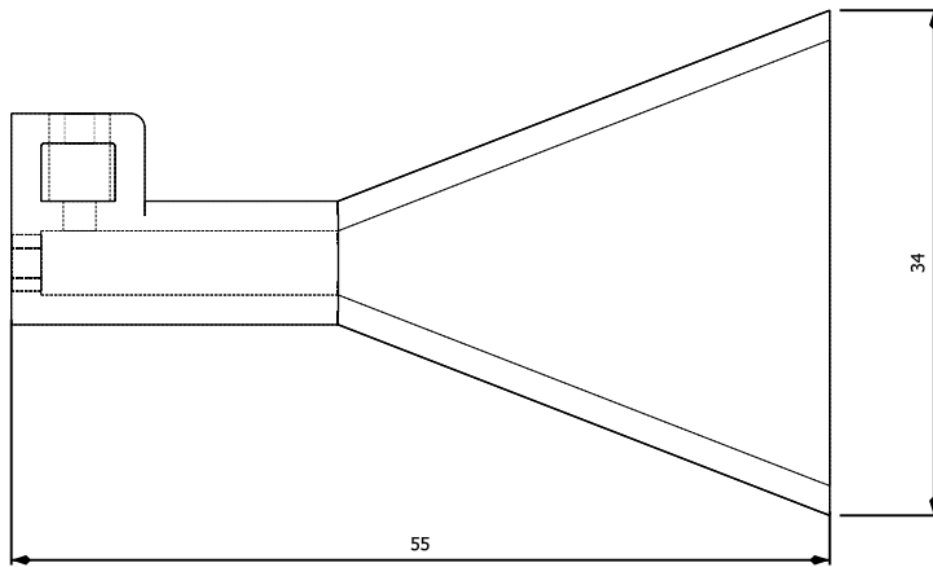
Frequency (GHz)	18-26.5
Simulated Gain (dB)	15 Typ.
VSWR max	1.70
Connector	SMA-F
Waveguide	WR42
Size (mm)	39*34*55
Weight	-

Dimensional Drawing



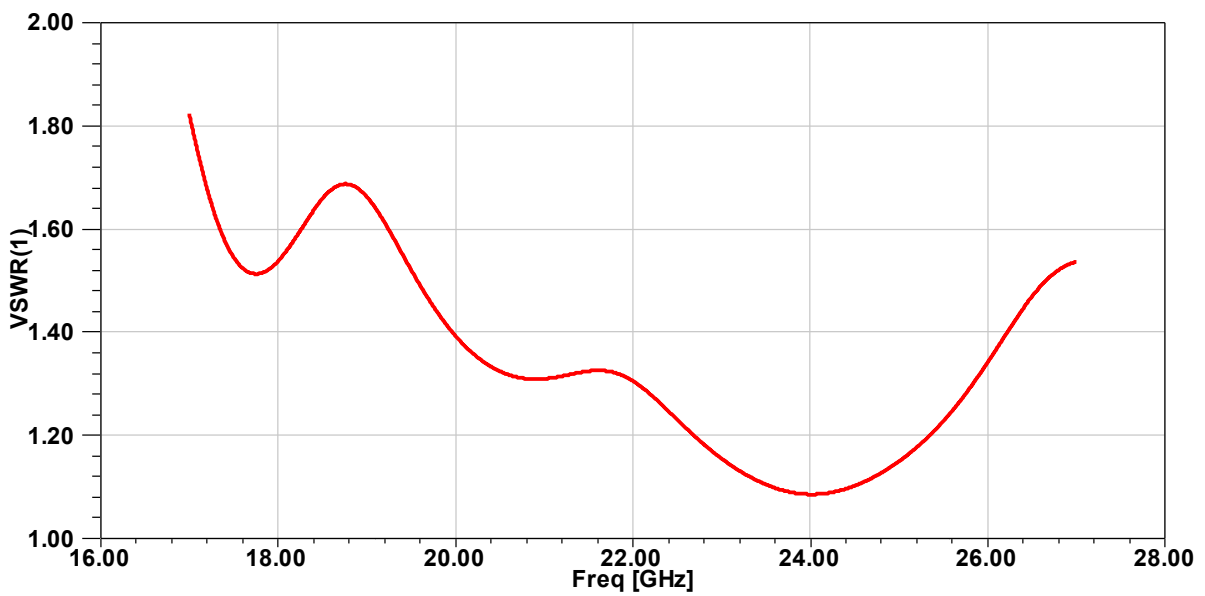


Antenna 18-26.5 GHz 15 dB Gain



Simulation results

1. VSWR





Antenna 18-26.5 GHz 15 dB Gain

2.Gain

