

Antenna 15-22 GHz 10 dB Gain

Description

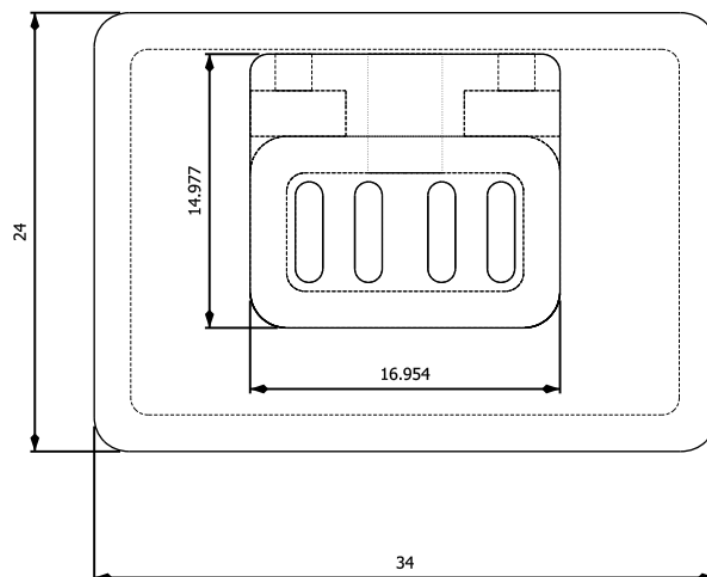
This Horn antenna operates for a frequency from 15 GHz to 22 GHz. It offers a typical value of 10 dB gain. The particularity of this antenna is its lightness. Indeed, this antenna is lighter than a machining one due to the realization by a 3D printer.



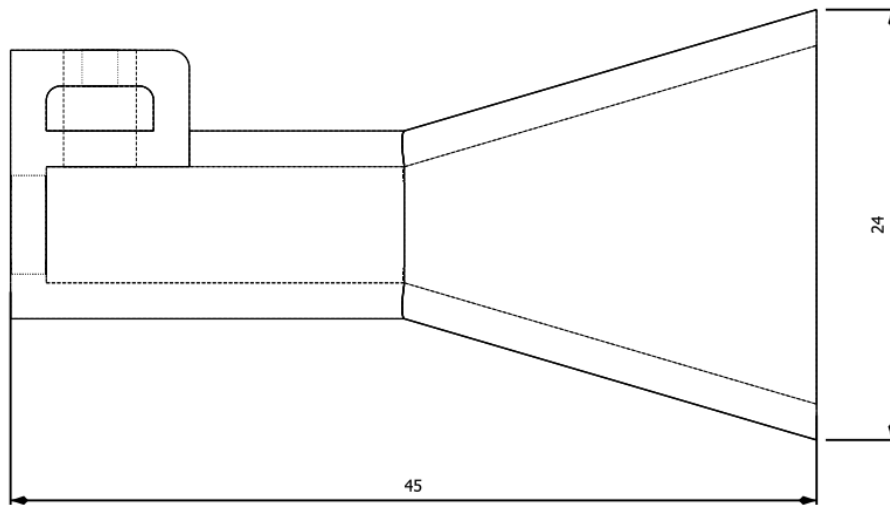
Technical specifications

| | |
|---------------------|----------|
| Frequency (GHz) | 15-22 |
| Simulated Gain (dB) | 10 Typ. |
| VSWR max | 1.70 |
| Connector | SMA-F |
| Waveguide | WR51 |
| Size (mm) | 34*24*45 |
| Weight | - |

Dimensional Drawing

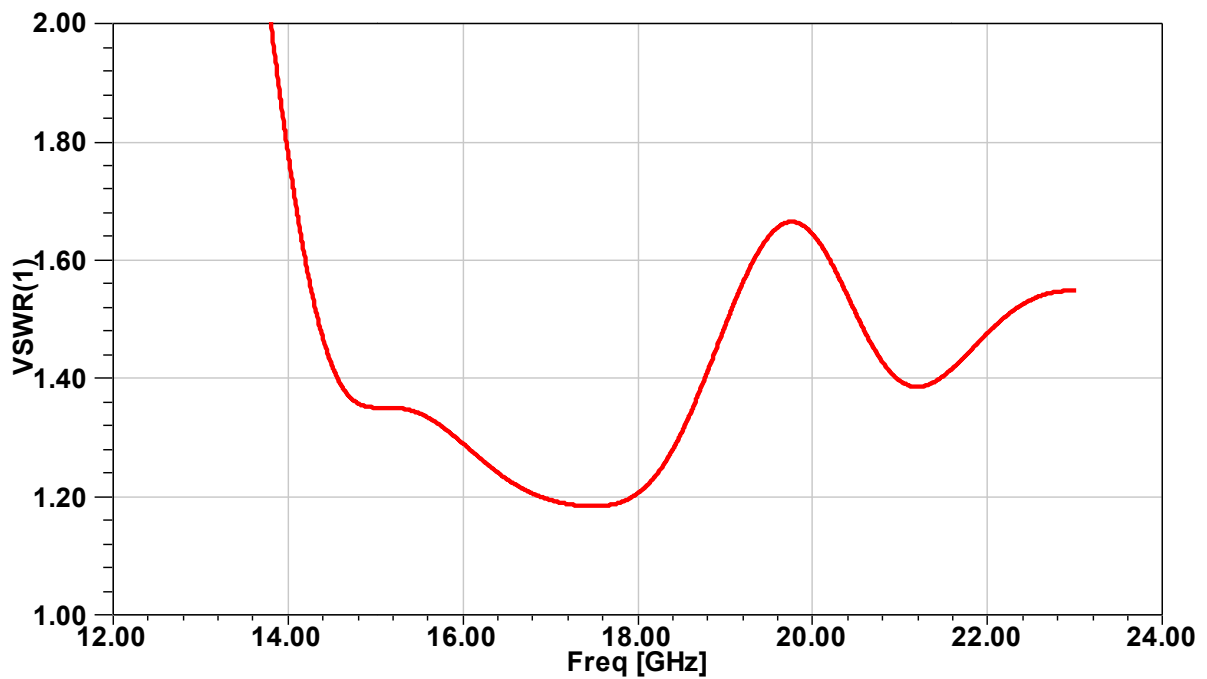


Antenna 15-22 GHz 10 dB Gain



Simulation results

1. VSWR



Antenna 15-22 GHz 10 dB Gain

2.Gain

