



# Antenna 10.0-15.0 GHz 10 dB Gain

## Description

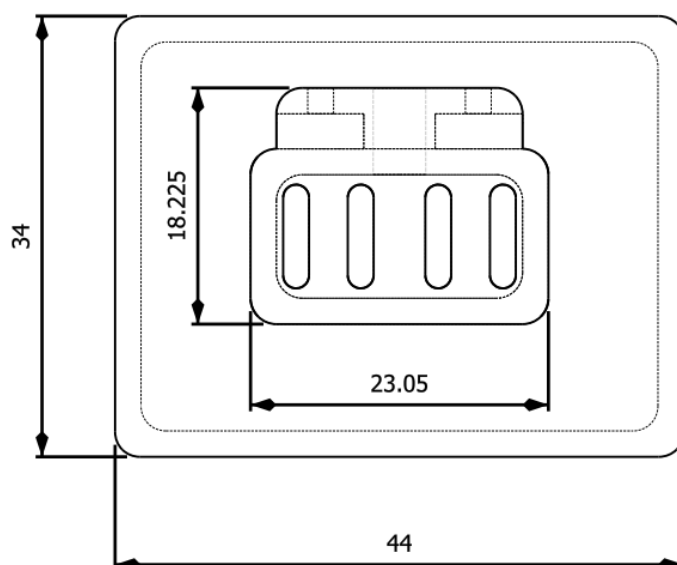
This Horn antenna operates for a frequency from 10.0 GHz to 15.0 GHz. It offers a typical value of 10 dB gain. The particularity of this antenna is its lightness. Indeed, this antenna is lighter than a machining one due to the realization by a 3D printer.



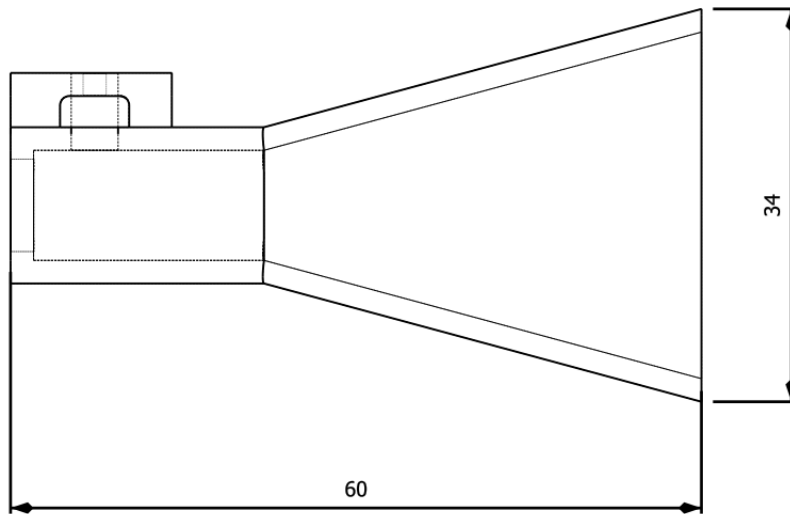
## Technical specifications

Frequency(GHz)	10.0-15.0
Simulated Gain(dB)	10 Typ.
VSWR max	1.70
Connector	SMA-F
Waveguide	WR75
Size (mm)	44*34*60
Weight	19 g

## Dimensional Drawing

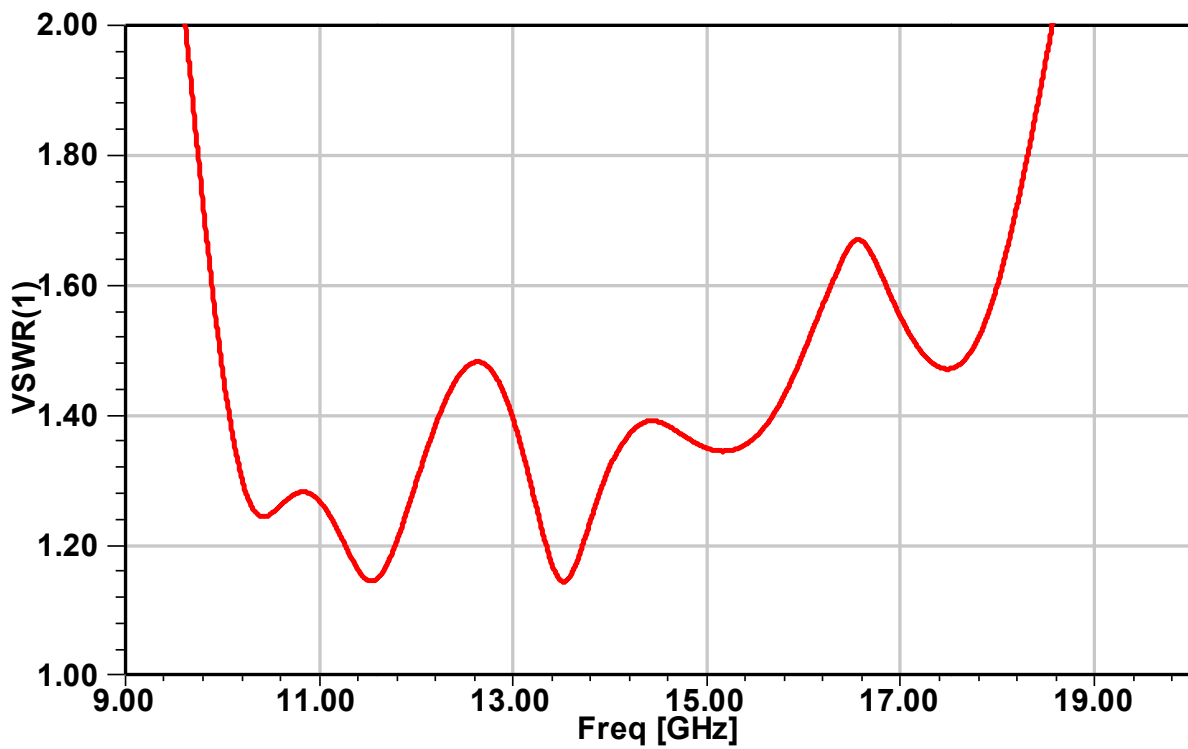


# Antenna 10.0-15.0 GHz 10 dB Gain



## Simulation results

### 1. VSWR

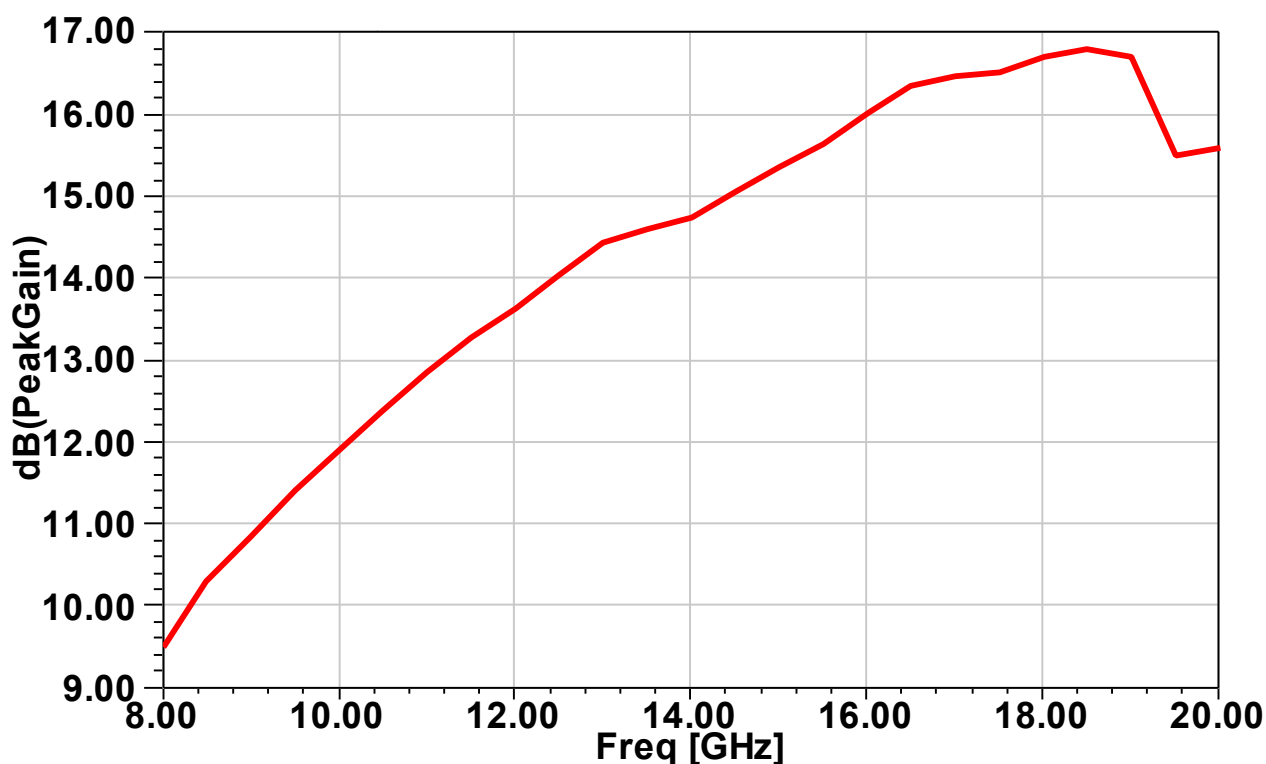




# Antenna 10.0-15.0 GHz 10 dB Gain

elliptika®

## 2.Gain



## Measurement results(Reflection coefficient)

