



Antenna 8.2-12.4 GHz 15 dB Gain

Description

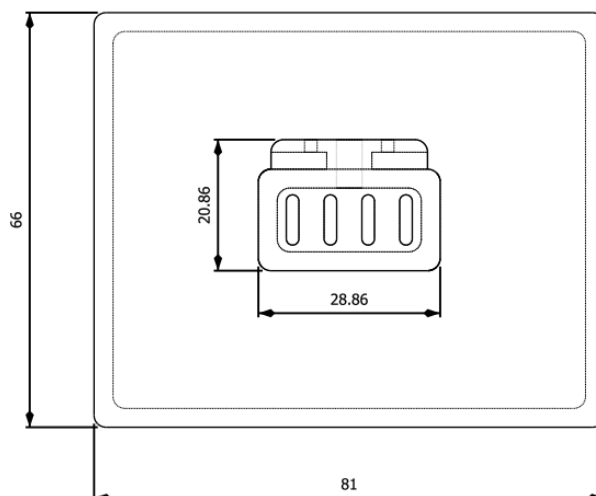
This Horn antenna operates for a frequency from 8.2 GHz to 12.4 GHz. It offers a typical value of 15 dB gain. The particularity of this antenna is its lightness. Indeed, this antenna is lighter than a machining one due to the realization by a 3D printer.



Technical specifications

Frequency (GHz)	8.2-12.4
Simulated Gain (dB)	15 Typ.
VSWR max	1.45
Connector	SMA-F
Waveguide	WR90
Size (mm)	81*66*110
Weight	-

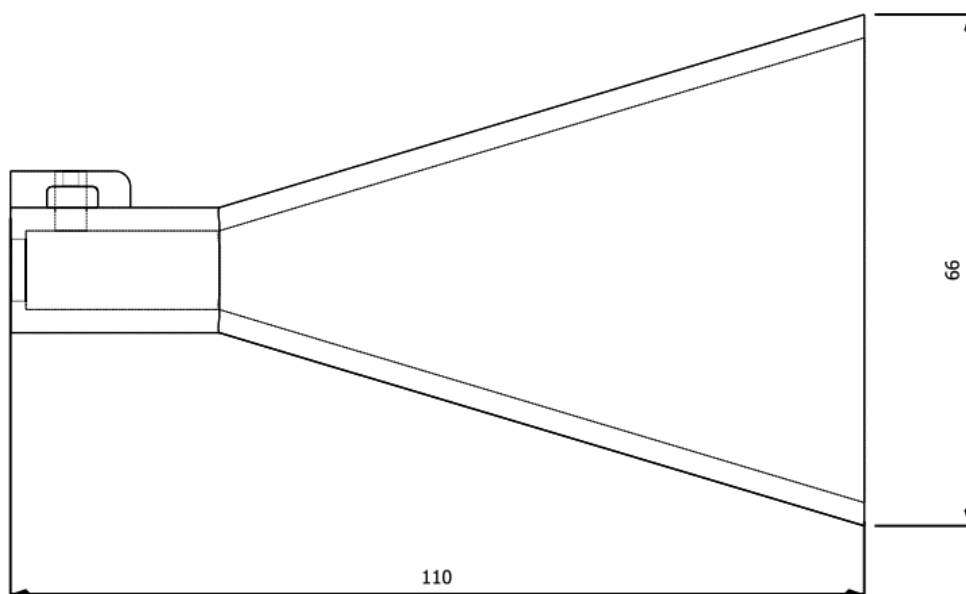
Dimensional Drawing





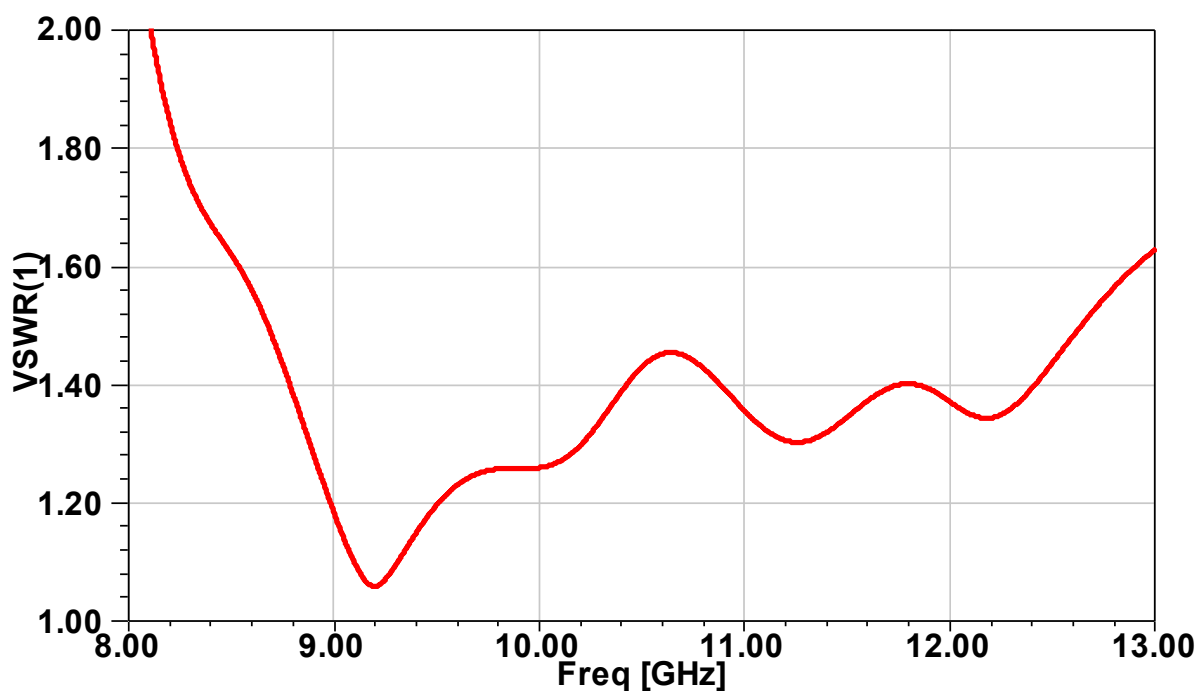
elliptika®

Antenna 8.2-12.4 GHz 15 dB Gain



Simulation results

1. VSWR





Antenna 8.2-12.4 GHz 15 dB Gain

elliptika®

2.Gain

