



Antenna 8.2-12.4 GHz 10 dB Gain

Description

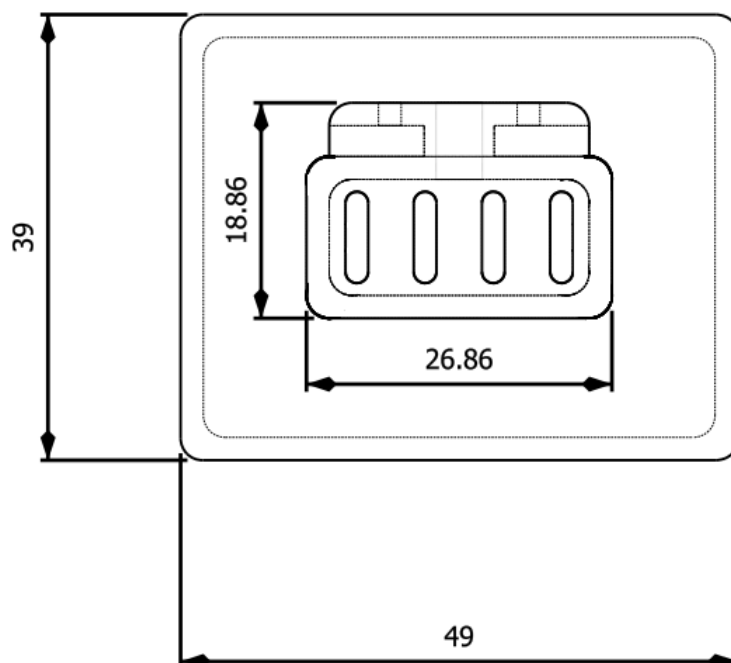
This Horn antenna operates for a frequency from 8.2 GHz to 12.4 GHz. It offers a typical value of 10 dB gain. The particularity of this antenna is its lightness. Indeed, this antenna is lighter than a machining one due to the realization by a 3D printer.



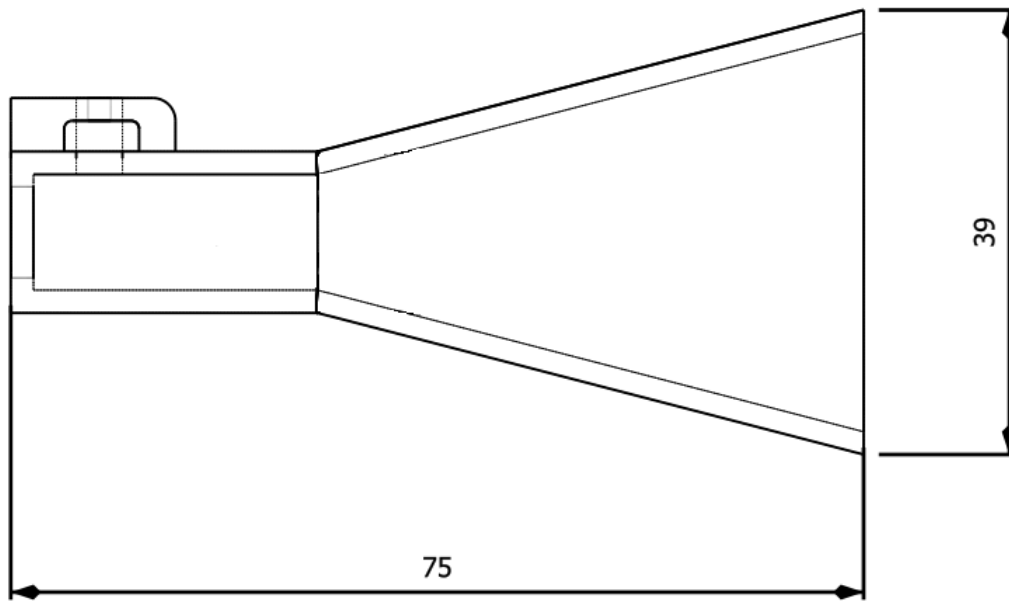
Technical specifications

Frequency (GHz)	8.2-12.4
Simulated Gain (dB)	10 Typ.
VSWR max	1.70
Connector	SMA-F
Waveguide	WR90
Size (mm)	49*39*75
Weight	26 g

Dimensional Drawing

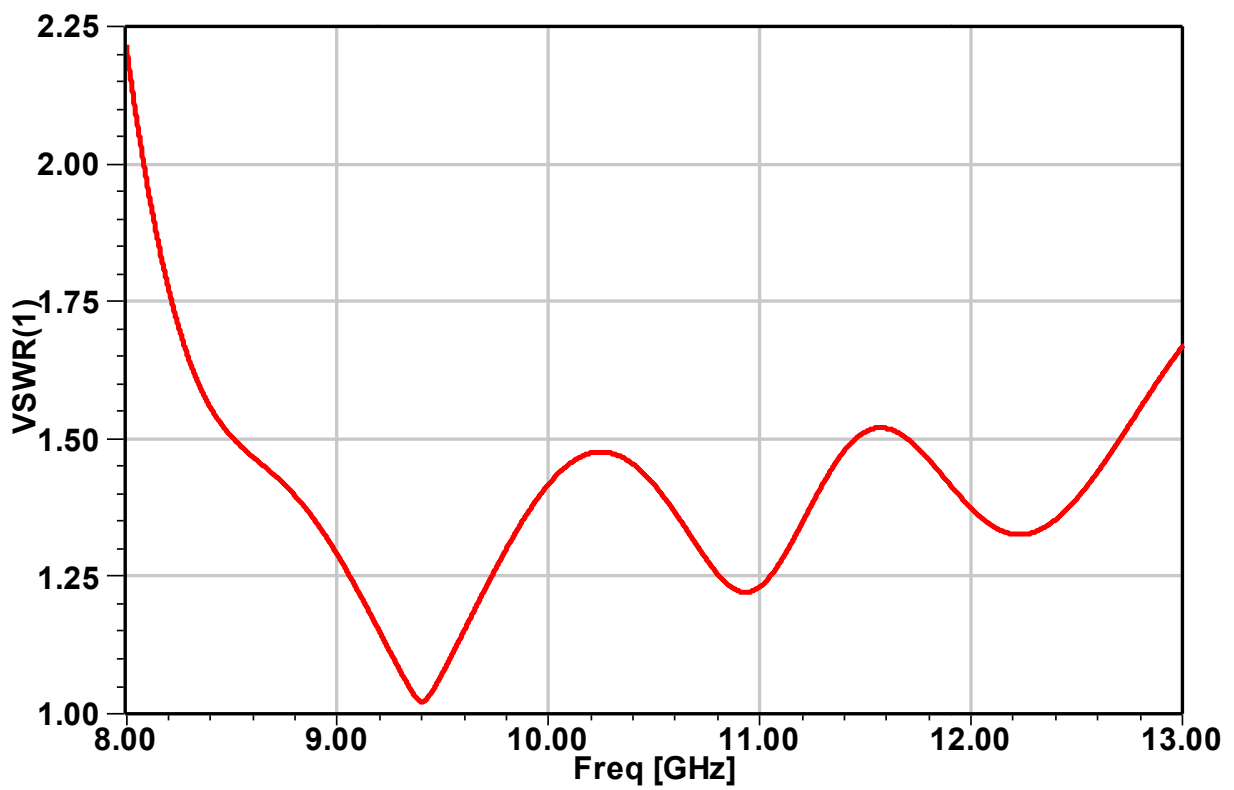


Antenna 8.2-12.4 GHz 10 dB Gain



Simulation results

1. VSWR

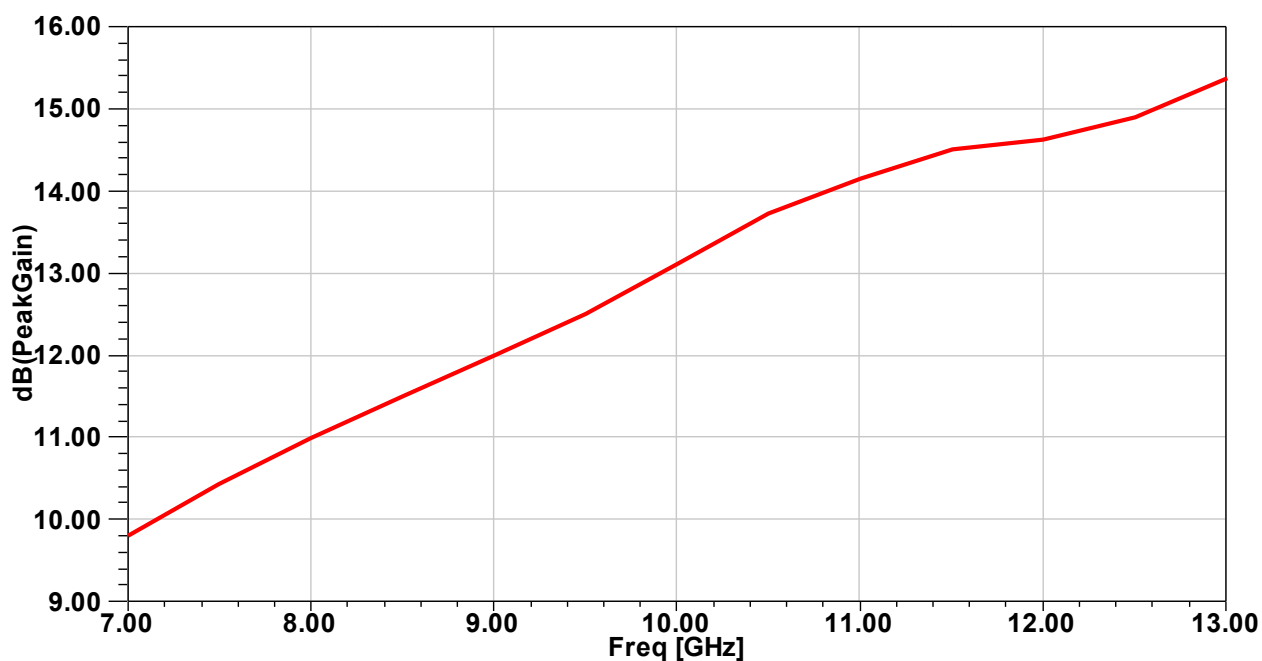




Antenna 8.2-12.4 GHz 10 dB Gain

elliptika®

2.Gain



Measurement results(Reflection coefficient)

